

# Analyser Cups & Pump Tubing

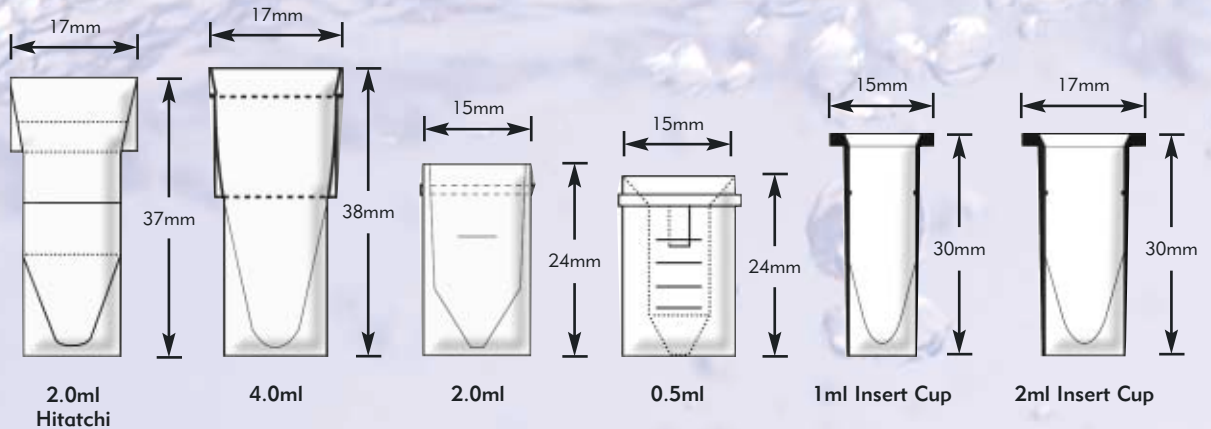


## Auto Analyser Sample Cups

- Sizes from 0.5 to 4ml.
- Overfit caps available (see table).
- 0.5, 2 and 4ml capacities used on a multitude of auto analyser carousels including Kodak Ektachem, Bayer, I.L., Olympus, Hitachi and older Technician AA equipment.

## Ezee-Nest Cups

- Samples are poured from blood collection tubes into the cup which is immediately placed inside the tubes, eliminating the need to re-label.
- Lower shoulder height prevents mechanical jamming of the instrument sample arm against the cup.
- **NEW** insert can be capped whilst in blood tube.



### Auto Analyser Cups

CATALOGUE NUMBER	DESCRIPTION	UNIT QTY	£UNIT PRICE
127-0093-000	0.5ml cup, polystyrene, natural	1000	13.00
127-0090-000	2.0ml cup, polystyrene, natural	1000	9.00
127-0090-100	2.0ml cup, polyethylene, natural	1000	20.00
127-0018-000	4.0ml cup, polystyrene, natural	1000	17.00
127-0016-HIT	2.0ml cup, polystyrene, for Hitachi analyser	1000	17.00
127-0013-000	1ml Insert Cup for 13mm Ezee Nest Blood Tubes	1000	19.00
127-0016-000	2ml Insert Cup for 16mm Ezee Nest Blood Tubes	1000	20.00
<b>NEW!</b> 127-0014-SPC	Special 1ml Insert for 13mm Blood Tubes	4000	58.00
127-0019-000	Overfit cap for all AA cups (not 4ml)	1000	12.00